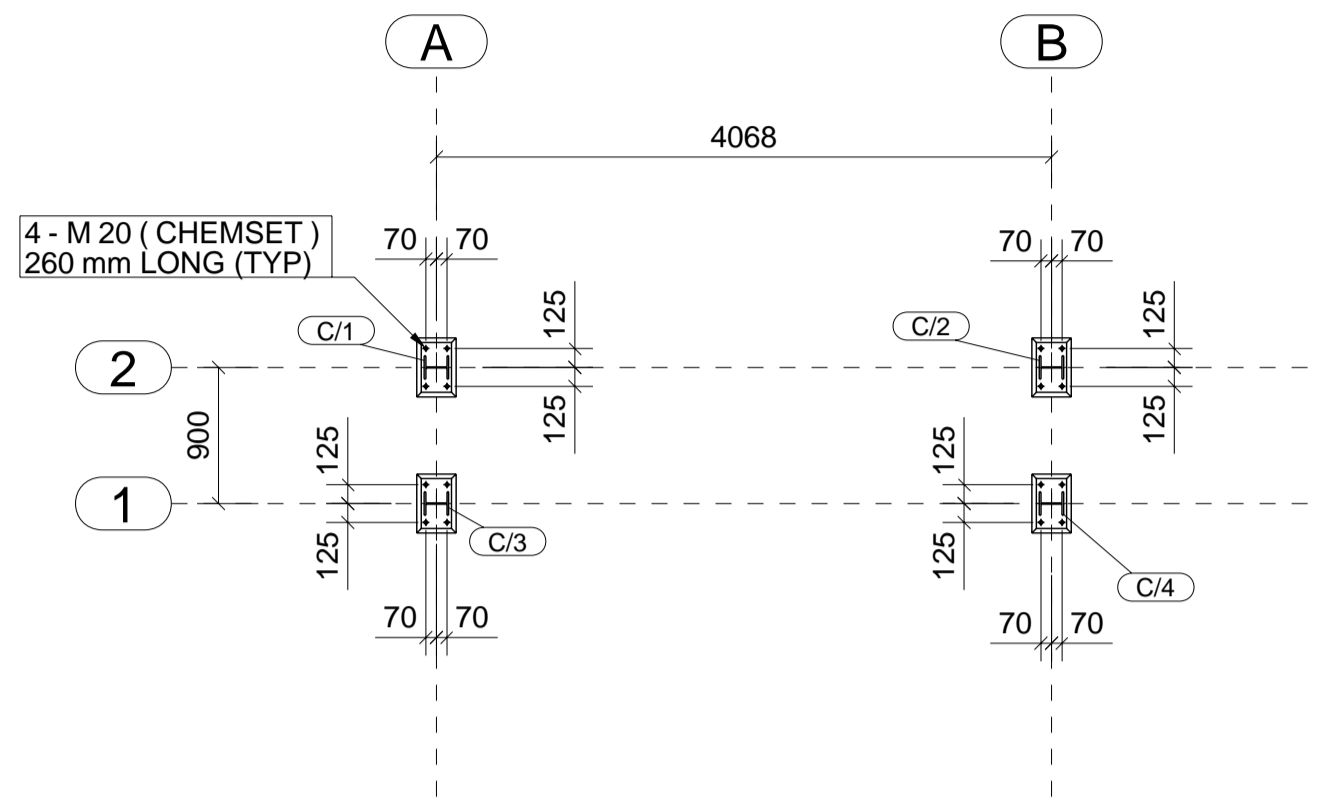
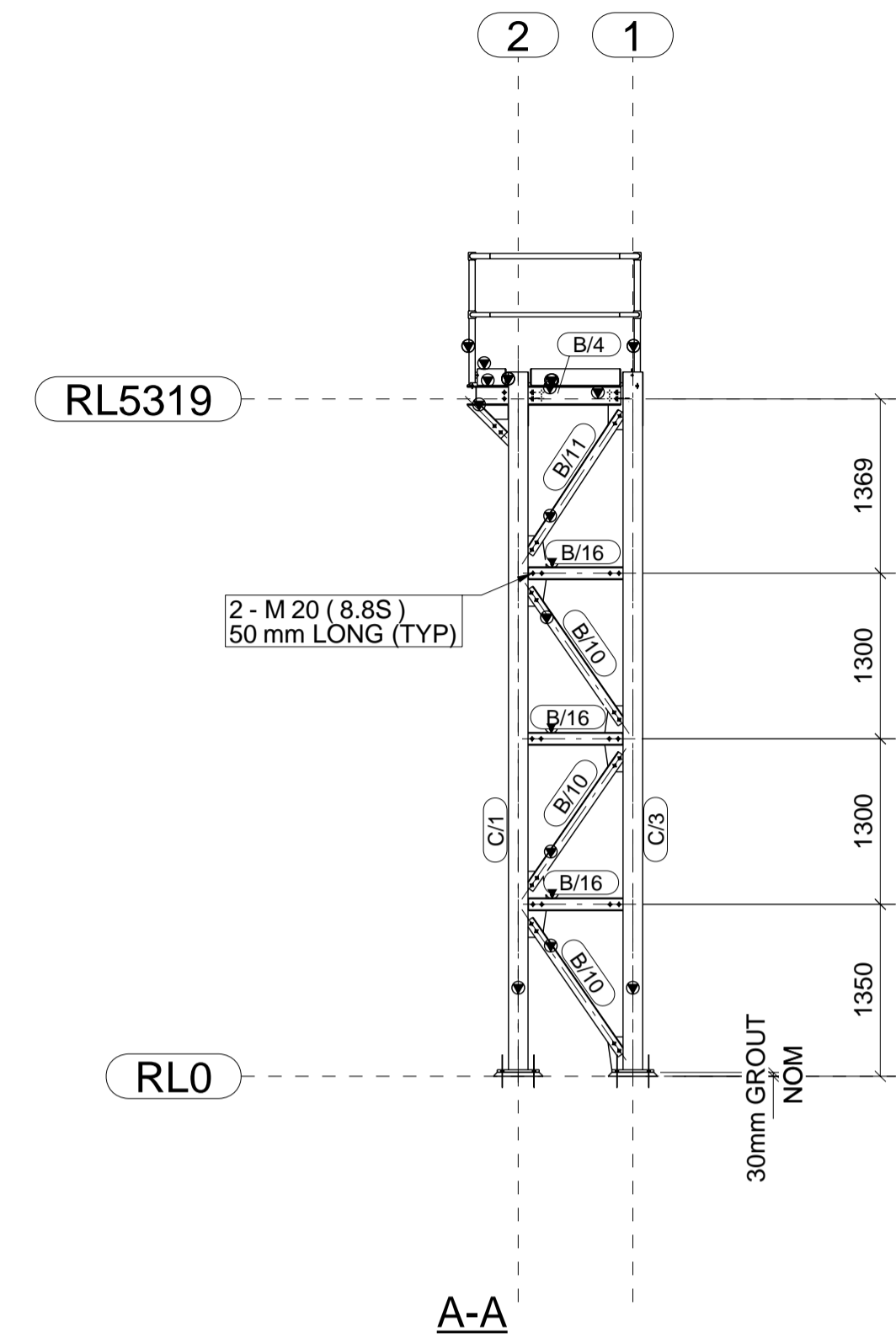


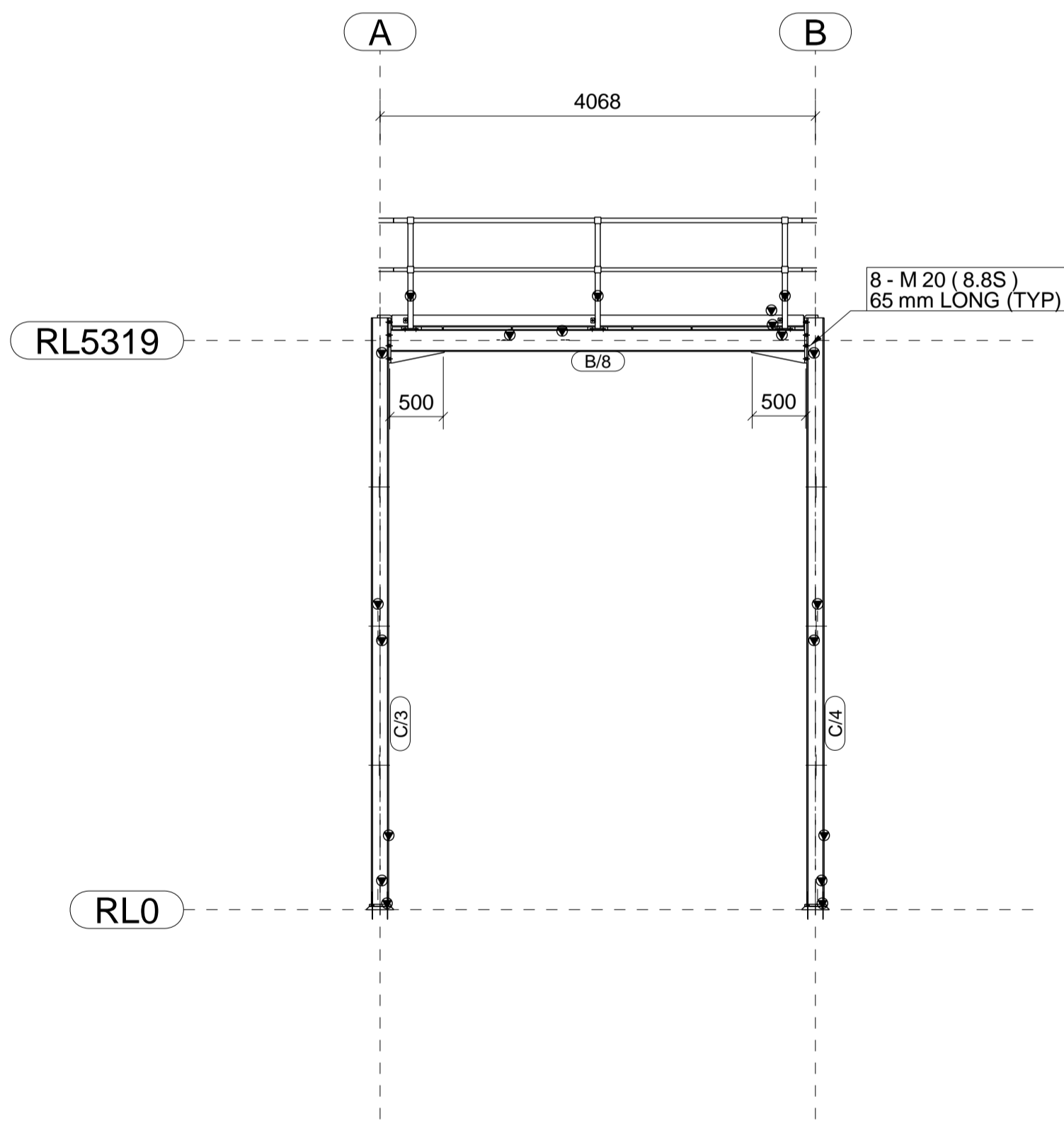
PERSPECTIVE VIEW



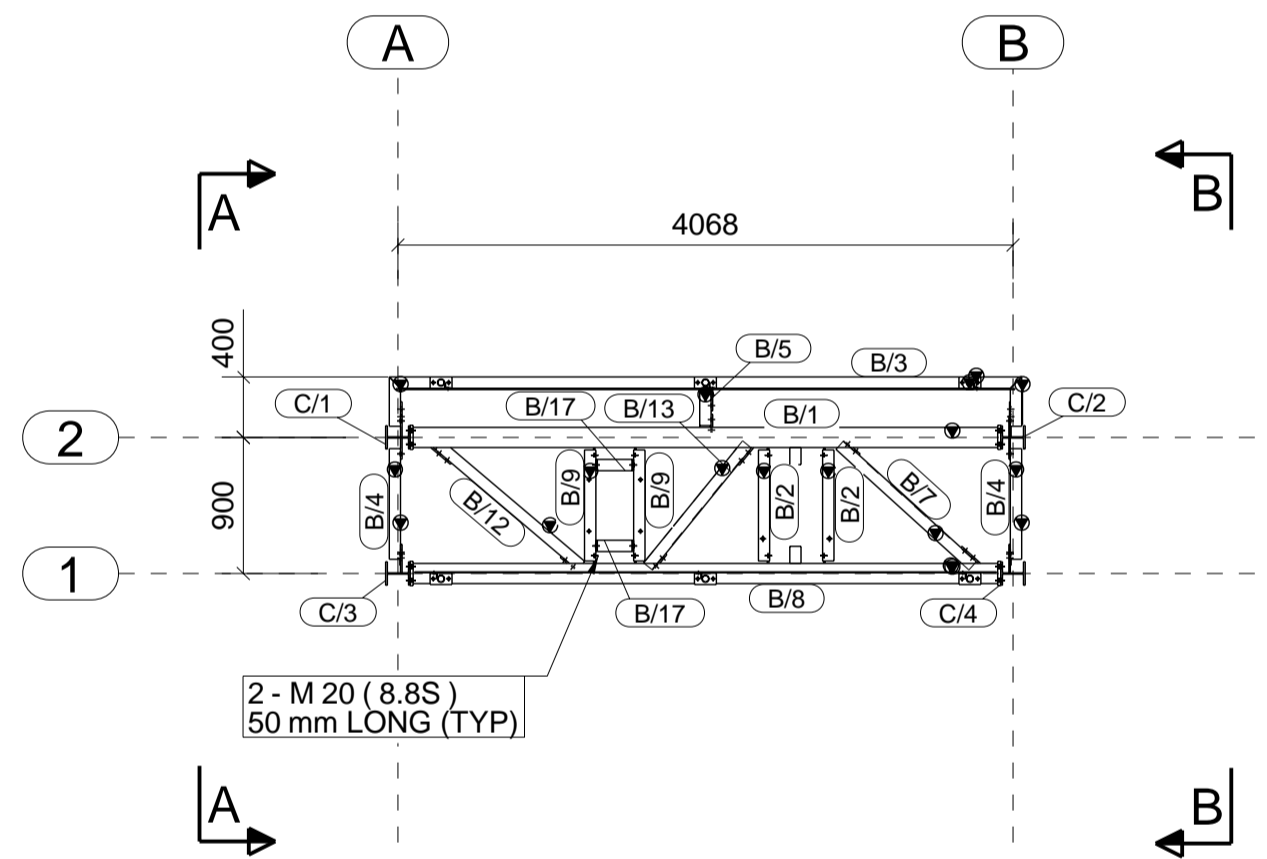
HD BOLT SET OUT



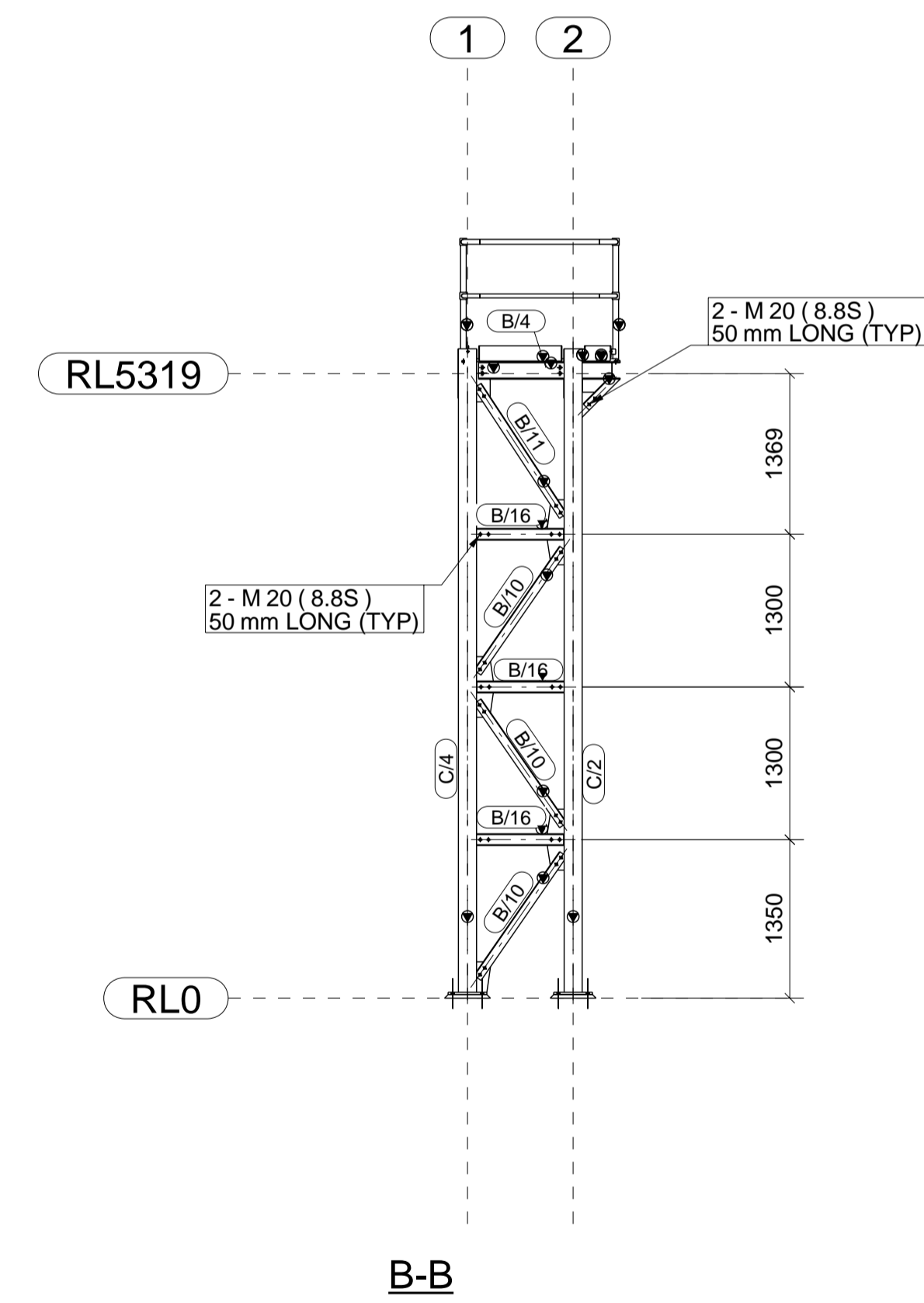
A-A



Side Elevation



PLAN VIEW STEEL LAYOUT



B-B

ERECTION NOTES:  
 1) INDICATES MARKED END OF MEMBER TO BE ERECTED AT THIS LOCATION.  
 2) COLUMNS HAVE ASSEMBLY MARK STAMPED ON NORTH OR WEST FACING FLANGE NEAR BASE OF SHAFT U.N.O.

**multiCAD**  
 www.multiCAD.com.au PH: (02) 44721611 FAX: (02) 44721633  
 PROJECT: Manildra Starch Cooking Gantry  
 CLIENT:

THIS DRAWING IS THE SOLE PROPERTY OF MULTICAD PTY LTD AND IT IS RETURNABLE ON REQUEST. THE DRAWING AND THE DESIGN WHICH IT REPRESENTS ARE CONFIDENTIAL ARE NOT TO BE COPIED OR COMMUNICATED TO ANY OTHER PERSON WITHOUT THE WRITTEN CONSENT OF MULTICAD PTY LTD, AND MAY BE USED FOR MANUFACTURE ONLY WHEN ACCOMPANIED BY A WRITTEN ORDER FROM THE COMPANY.

|                                  |         |             |      |
|----------------------------------|---------|-------------|------|
| TITLE:<br>HD BOLT & STEEL LAYOUT |         |             |      |
| SCALE<br>1:50                    | JOB No. | DRAWING No. | REV. |
| DRAWN                            |         | MP01        | 0    |

|     |                         |          |        |         |            |                 |
|-----|-------------------------|----------|--------|---------|------------|-----------------|
| 0   | ISSUED FOR CONSTRUCTION | 31.05.10 |        | D.P.    | 30.05.10   | R.C.            |
| A   | ISSUED FOR APPROVAL     | 29.05.10 |        | D.P.    |            |                 |
| REV | REVISION DETAILS        | DATE     | DRG BY | DRG CHK | DESIGN CHK | DESIGN APPROVAL |