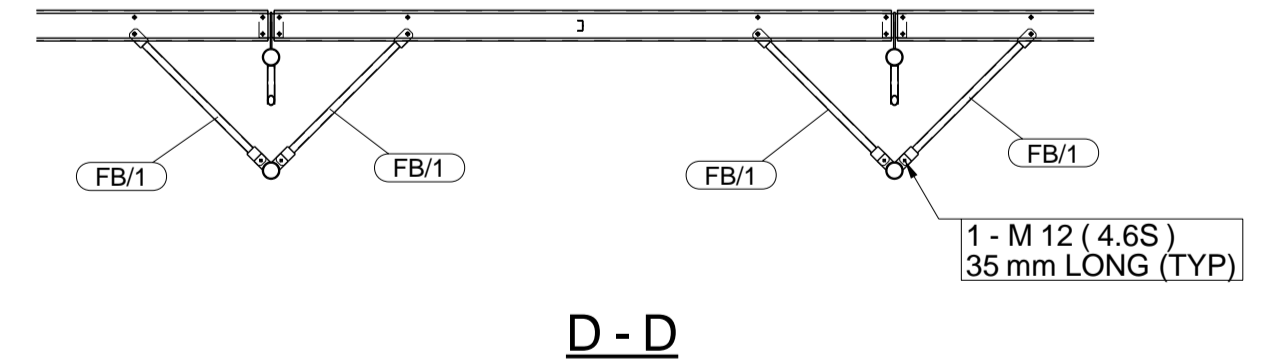
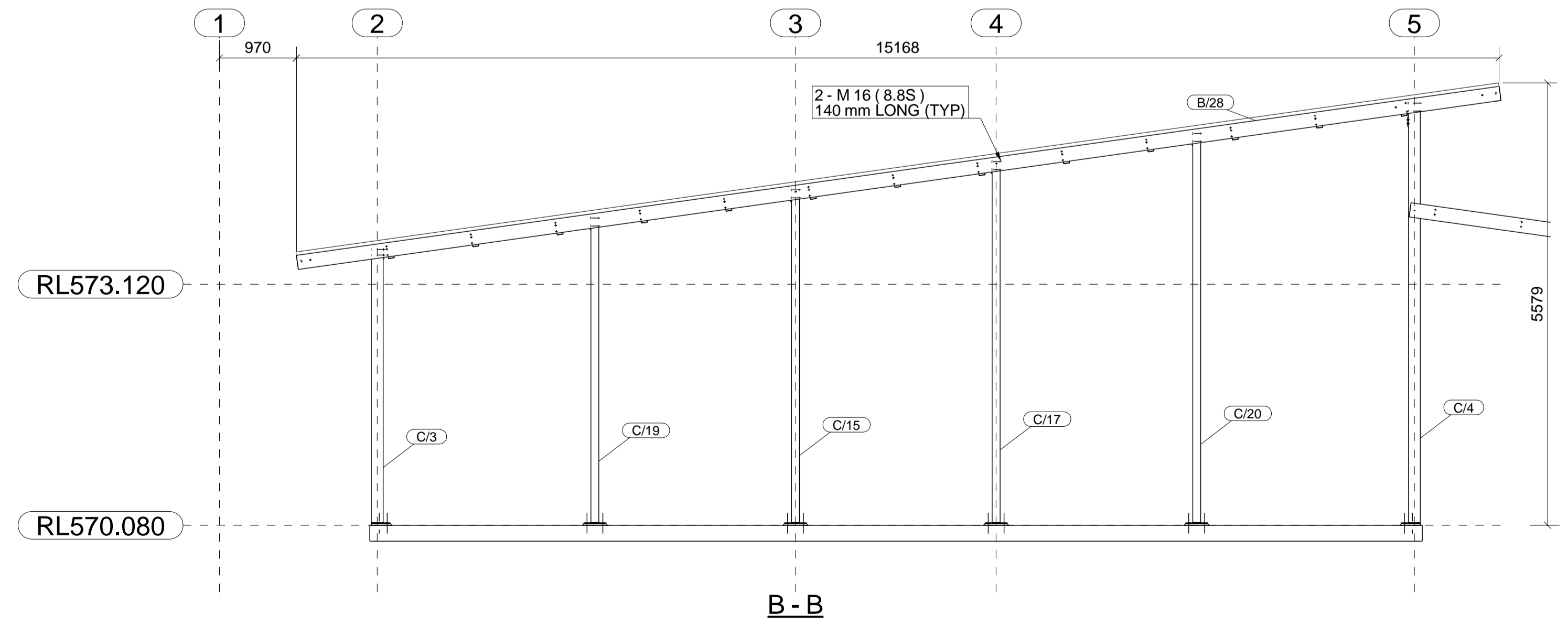
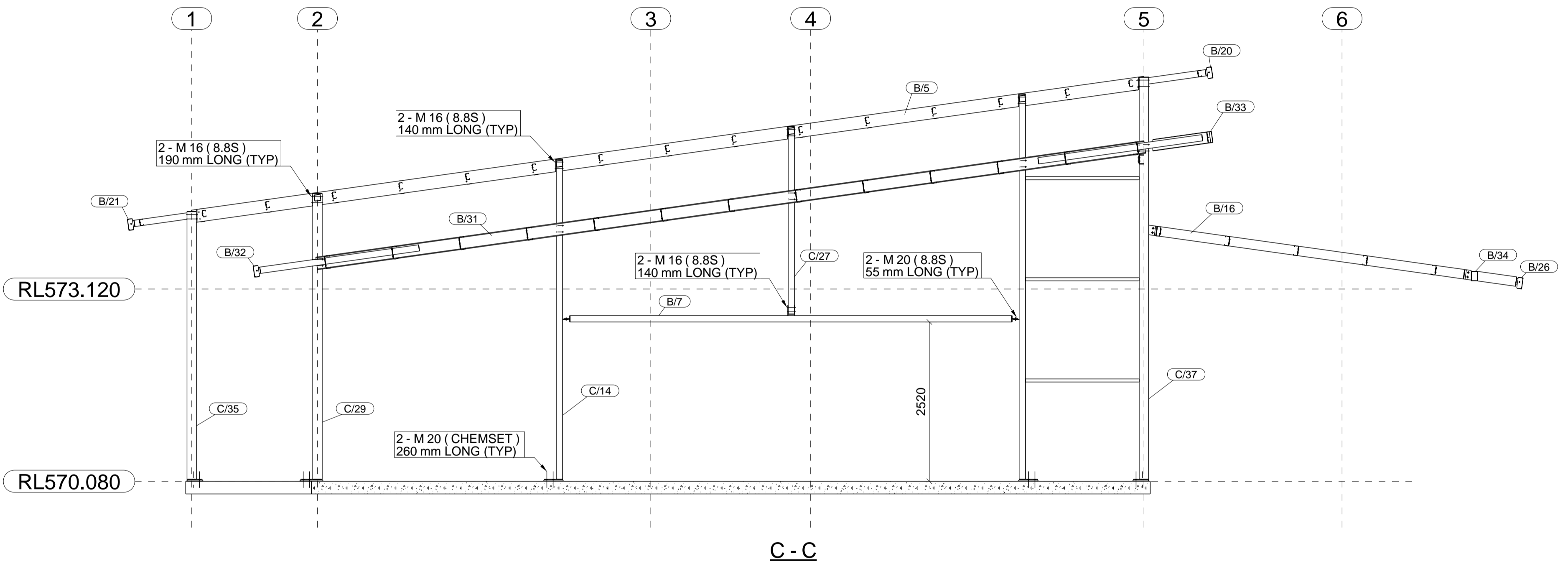
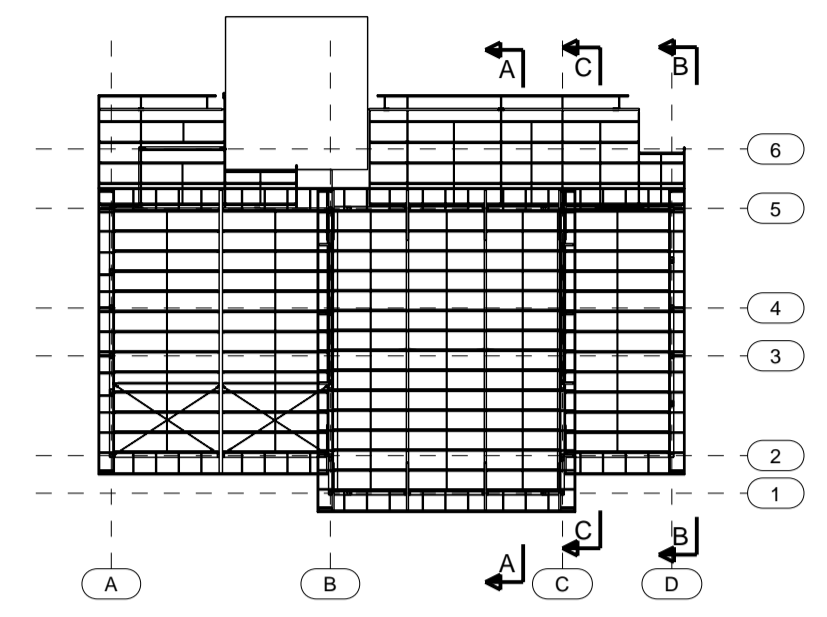
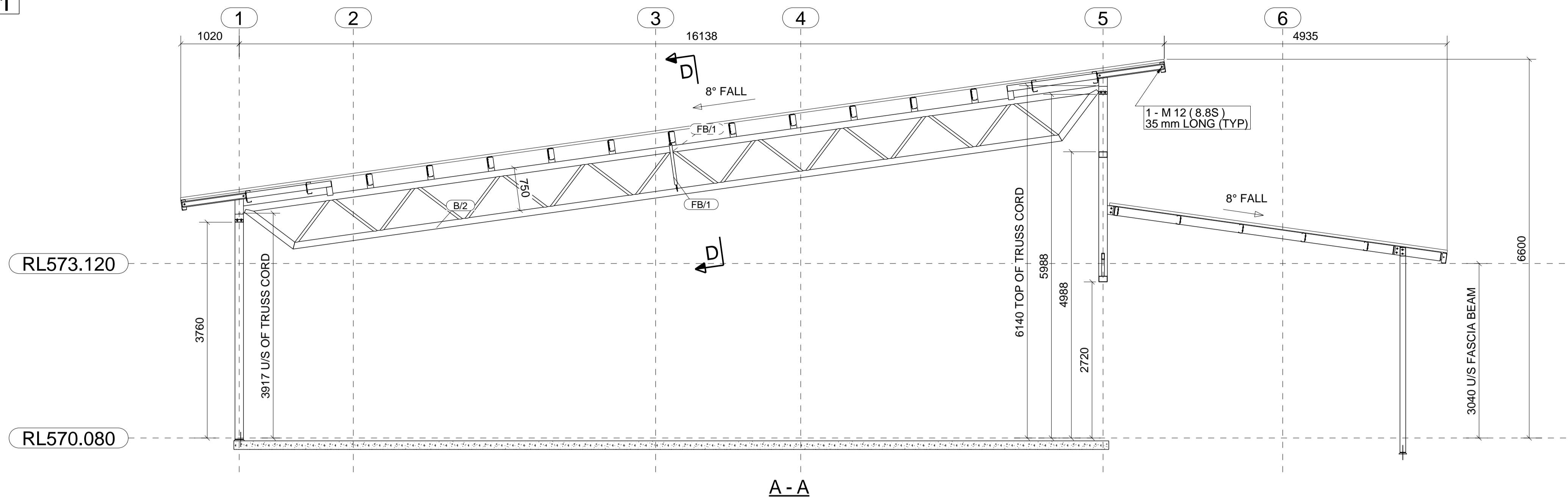


A1



REV	REVISION DETAILS	DATE	DRG BY	DRG CHK	DESIGN CHK	DESIGN APPROVAL
0	ISSUED FOR CONSTRUCTION	18.12.09		D.P.	15.12.09	S.C.
A	ISSUED FOR APPROVAL	14.12.09		D.P.	-	-

ERECTION NOTES:
 1) (V) INDICATES MARKED END OF MEMBER TO BE ERRECTED AT THIS LOCATION.
 2) COLUMNS HAVE ASSEMBLY MARK STAMPED ON NORTH OR WEST FACING FLANGE NEAR BASE OF SHAFT U.N.O.

multiCAD
 www.multiCAD.com.au PH: (02) 44721611 FAX: (02) 44721633
 PROJECT: LYNEHAM PRIMARY SCHOOL
 LYNEHAM ACT
 CLIENT:

THIS DRAWING IS THE SOLE PROPERTY OF MULTICAD PTY LTD AND IT IS RETURNABLE ON REQUEST. THE DRAWING AND THE DESIGN WHICH IT REPRESENTS ARE CONFIDENTIAL AND NOT TO BE COPIED OR COMMUNICATED TO ANY OTHER PERSON WITHOUT THE WRITTEN CONSENT OF MULTICAD PTY LTD, AND MAY BE USED FOR MANUFACTURE ONLY WHEN ACCOMPANIED BY A WRITTEN ORDER FROM THE COMPANY.

TITLE: SECTIONS 01			
SCALE 1:400	JOB No.	DRAWING No.	REV.
DRAWN		MP04	0